

EP-2800CA SERIES WAVEFORM CORRECTOR



THE EP-2800CA FEATURES AND BENEFITS:

- Provides 80kA to 640kA per mode single-pulse surge current
- Integrated Dissipation Technology. Energy is absorbed and dissipated within the unit, not shunted to the ground.
- Active Sine Wave tracking filter
- No additive harmonic distortion
- Patented technology of the 2800B module provides industry superior filter performance
- Reacts to transient in nanoseconds
- Status LED Indicators
- Top and Bottom feed
- 10 -Year Warranty

EP-2800CA GENERAL SPECIFICATIONS

MAX SURGE CURRENT RATING: 640kA per mode
REPETITIVE SURGE CURRENT RATING: 5000 impulses using IEEE C62.41
PRODUCT DESIGN: Patented waveform correction technology and fused TMOV in a convenient parallel design
OPERATING FREQUENCY: 45 - 65 Hz
WARRANTY: 10 Years
LISTING: UL 1449 4th Edition Type 1 & Type 2 SPD
CSA std. c22.2 No. 8-2013 Ed 5
SAFETY: Fire Rating 94V-0
COMPLIANCE: NEMA LS-1, NEC Surge Suppression Standards, UL 96 A

EP-2800CA ELECTRICAL SPECIFICATIONS

CONNECTION METHOD: Parallel
PROTECTION MODES: L-N, L-L
CONTRACTOR SUPPLIED WIRE: 00 AWG Wire
INTEGRATED FUSEABLE DISCONNECT: 600VAC, 200kA I.R.
STATUS INDICATORS: Local and Remote LED
EMI/RFI FILTER ATTENUATION: MIL Standard 220B

The **EP-2820CA** can hold up to two modules.
Two base modules provide 160kA protection.

The **EP-2840CA** can hold up to four modules.
Four base modules provide 320kA protection.

The **EP-2880CA** can hold up to eight modules.
Eight base modules provide 640kA protection.

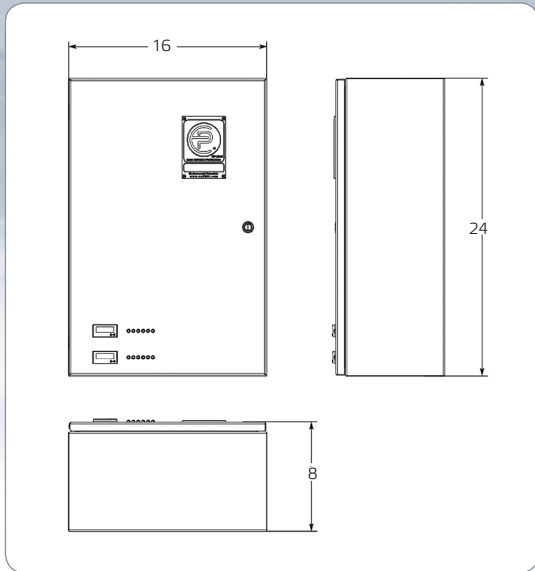
EP-2800CA B MODULE

- 80kA single impulse surge current
- Integrated filter with sine wave tracking
- Integrated dissipation technology

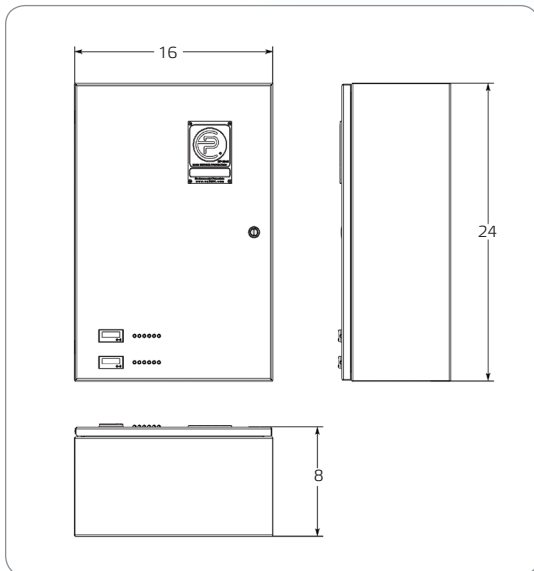
EP-2800CA F MODULE

- Patented technology provides industry-superior filter performance
- Protected by mandatory base module for consistent filtering
- Integrated dissipation technology

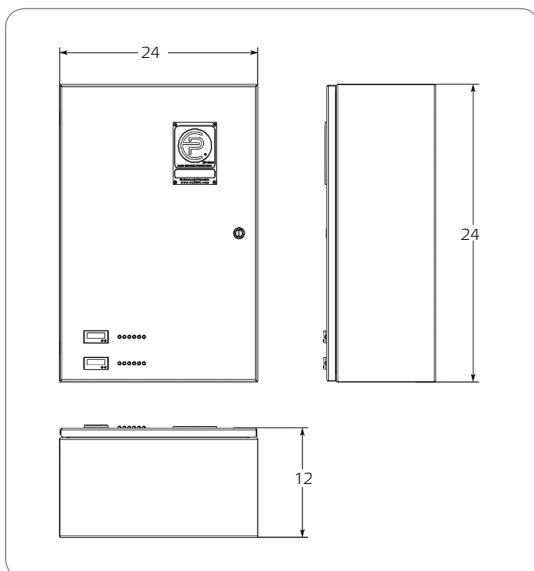
2820CA



2840CA



2880CA

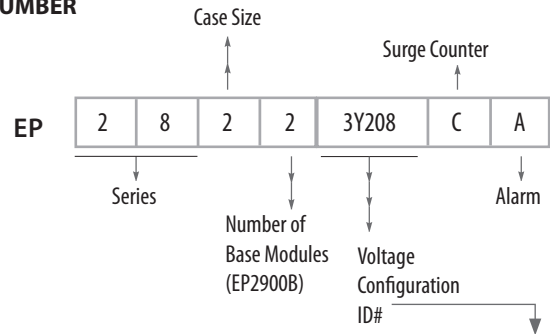


EP-2800CA SERIES PRODUCT ORDERING GUIDELINES

CASE SIZE REFERENCE

EP-2820: 24x16x8
 EP-2840: 24x16x8
 EP-2880: 24x24x12

MODEL NUMBER



VOLTAGE CONFIGURATIONS

SYSTEM VOLTAGE	PROTECT MODE	VPR	SYSTEM CONFIGURATION	VOLTAGE ID#
Single Phase 120/240	L-N L-L	700 1000	3 Wire + G	1S240
3 Phase 120/208	L-N L-L	700 1000	4 Wire + G	3Y208
3 Phase 277/480	L-N L-L	1200 1800	4 Wire + G	3Y480
3 Phase 347/600	L-N L-L	1200 2500	4 Wire + G	3Y600
3 Phase 480V	L-L	1800	3 Wire + G	3D480
3 Phase 600V	L-L	2500	3 Wire + G	3D600

MECHANICAL SPECIFICATIONS

DIMENSIONS	24 x 16 x 8 inch 61 x 40.6 x 20.3 cm
WEIGHT	60 lbs. / 27.27 Kg
ENCLOSURE	NEMA 4, 12, 13
OPERATING TEMPERATURE	-40F to 140F -40C to +60C
NON-CONDENSING HUMIDITY	5% to 95%

*Other voltages and configurations available upon request