



# Environmental Potentials

Power Quality For The Digital Age



## EP-2000 DIN

Installation and Maintenance Manual



# EP-2000 DIN

## Installation and Maintenance Manual

### Table of Contents

- 3 – Safety First
- 3 – Pre-Installation Preparations
- 4 – Wiring for loads 15 Amps or less
- 5 – Wiring for loads greater than 15 amps
- 6 – Wiring for DC Applications

### FIVE YEAR WARRANTY

- Environmental Potentials will replace or repair EP-2000 DIN as long as it was not damaged during installation or damaged from faulty installation.
- EP warranty registration card must be filled out and received by Environmental Potentials within 15 days of installation.
- This warranty is for the repair or replacement of damaged EP products only. Environmental Potentials accepts no liability, written or expressed, for the damage that may have occurred to any other equipment; nor does Environmental Potentials warranty cover any labor cost associated with replacement of such product.

**Contact Us:** [warranty@ep2000.com](mailto:warranty@ep2000.com) • 800.500.7436

**EP Technical Support:** [techsupport@ep2000.com](mailto:techsupport@ep2000.com) • 800.500.7436

**Mailing Address:** 1802 N. Carson Street, Suite 108-2132, Carson City, NV 89701

# Safety First

1. Read and understand the entire content of this installation manual prior to installing the EP-2000 DIN.
2. Verify the voltage of the electrical panel where the installation is taking place.
3. Verify the voltage and electrical configuration matches the model of the EP unit being installed.
4. If the voltage and configuration do not match, do NOT install the EP unit.
5. Turn off the electrical supply prior to the installation.
6. Verify with voltage meter that the electricity is off.



## WARNING



**ALWAYS have a professional electrician with proper safety equipment perform installation.**

**Do NOT install waveform corrector on the output of a variable frequency drive**

**\*Do not install on loads greater than 25 amps**

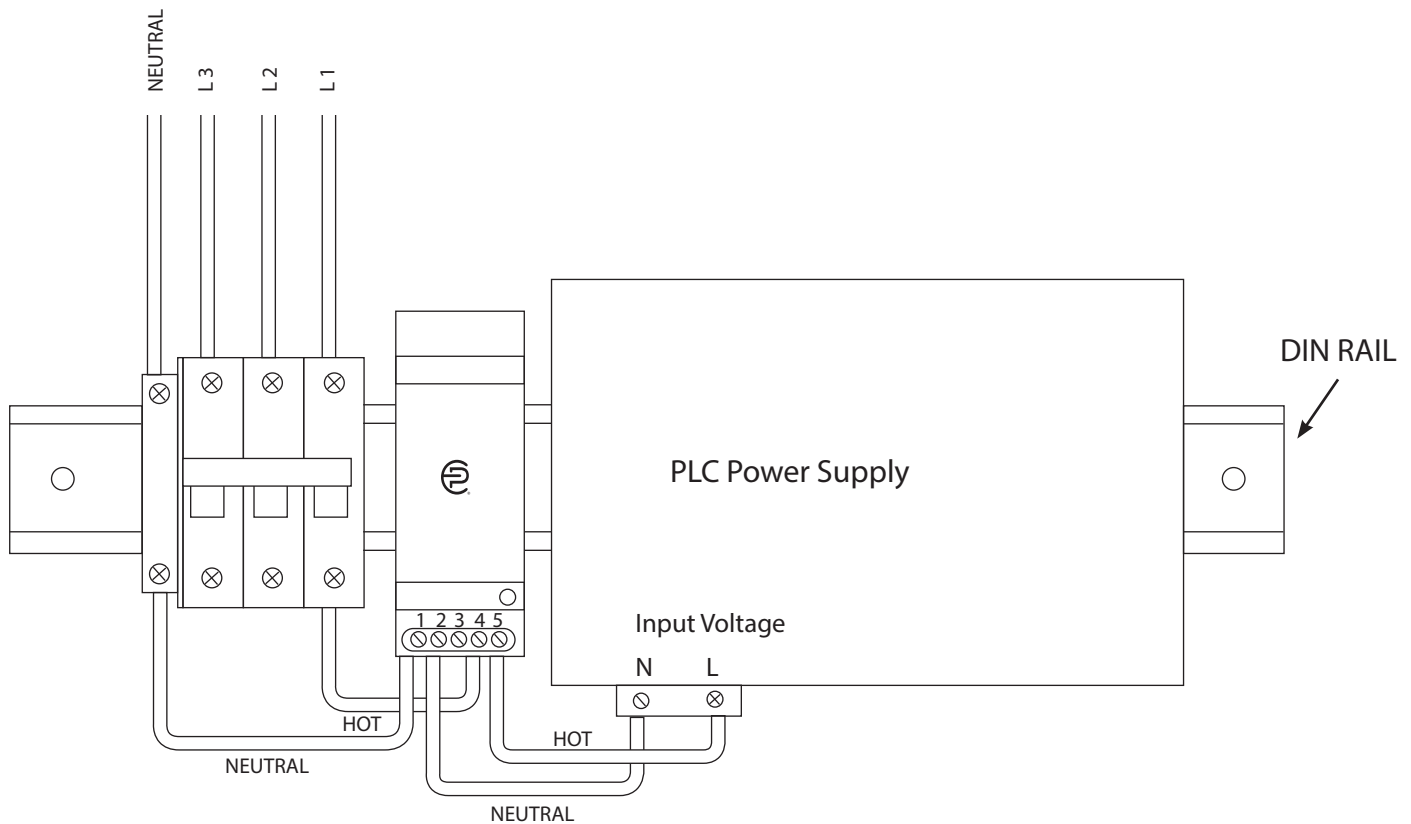
## Pre-Installation Instructions

1. Verify the wire size. Do NOT wire the Din Rail with wire larger than AWG#12.
2. If the wire size of the output is larger than AWG#12 install the Din Rail parallel to the load. Instructions for parallel installation on page 5.
3. If the load is greater than 15 amps connect the EP-2000 DIN to a breaker and neutral. Then connect the load in parallel. Instructions for parallel installation on page 5.
4. Screw terminals 1 & 2 are neutral. Screw terminals 4 & 5 are hot. Screw terminal 3 is not wired.
5. Keep wire lengths as short as possible.

LED provides visual notification of units functionality. If light is lit, the product is on. If extinguished it has self sacrificed.

# Wiring for loads 15 Amps or less:

1. Screw in the input neutral from the incoming neutral source to screw terminal number 1.
2. Screw in the input phase from the incoming power source to screw terminal number 4.
3. Screw in the output neutral to screw terminal number 2 and connect to the input neutral terminal of the load.
4. Screw in the output phase to screw terminal number 5 and connect it to the input phase terminal of the load.

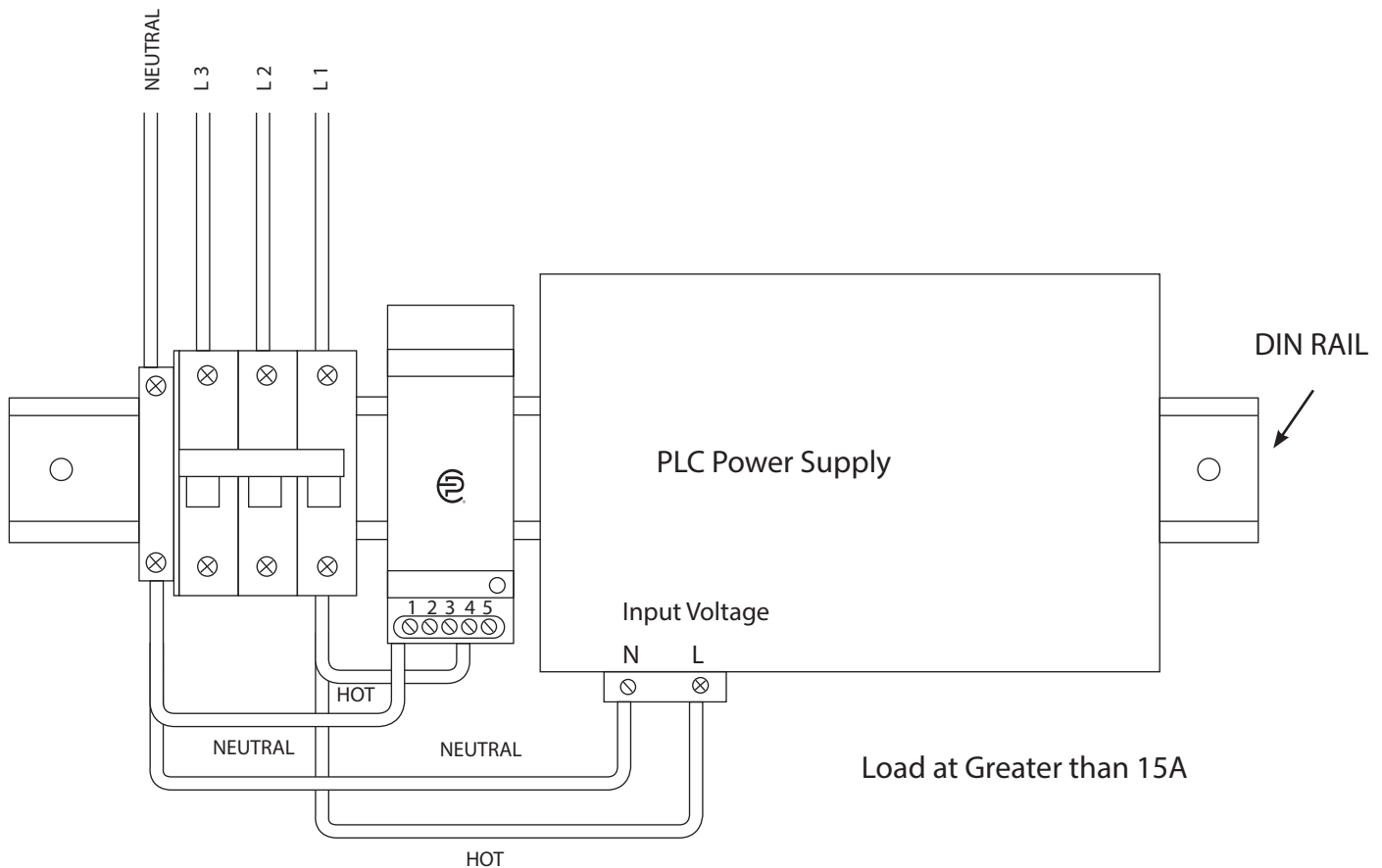


**CAUTION** – Ungrounded power systems are inherently unstable and can produce excessively high line-to-ground voltages during certain fault conditions. During these fault conditions any electrical equipment, including an SPD, may be subjected to voltages which exceed their designed ratings. This information is being provided to the user so that an informed decision can be made before installing any electrical equipment on an ungrounded power system.

# Wiring for loads greater than 15 amps:

**\*also use this install method if the output wire size is larger than AWG#12**

1. Screw in the input neutral from the incoming neutral source to screw terminal number 1.
2. Screw in the input phase from the incoming power source to screw terminal number 4.
3. Screw in the input neutral from the incoming neutral source to the incoming neutral terminal of the load.
4. Screw in the input phase from the incoming power source to the incoming phase terminal of the load.

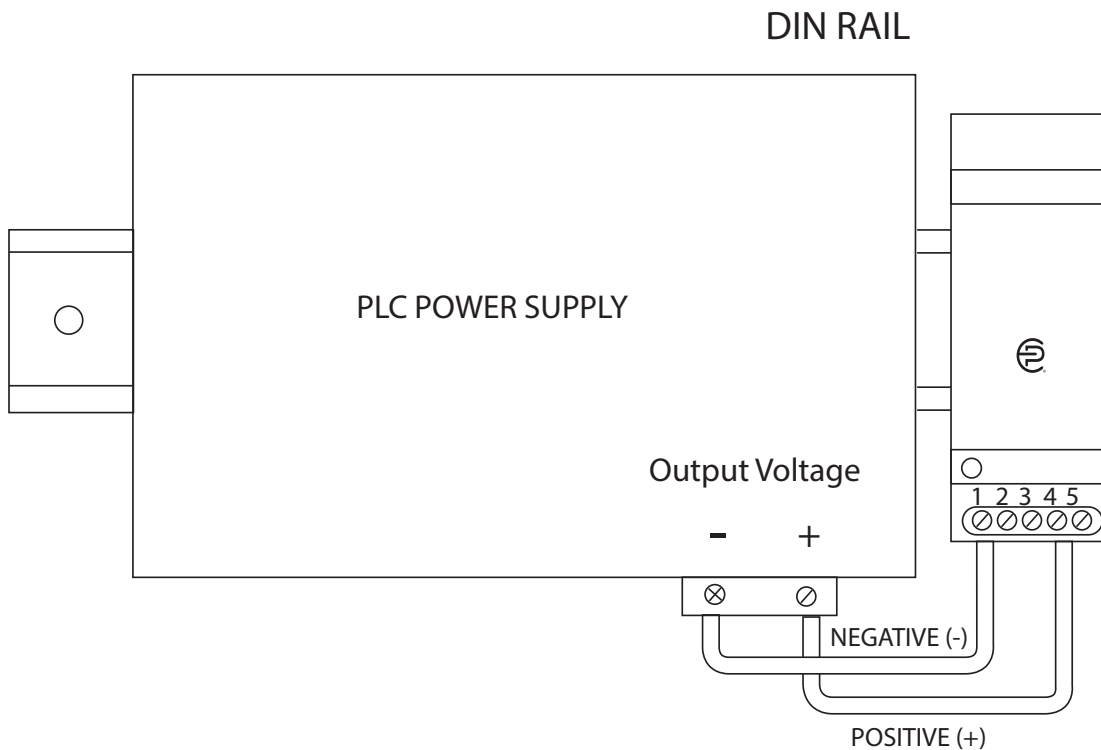


**CAUTION** – Ungrounded power systems are inherently unstable and can produce excessively high line-to-ground voltages during certain fault conditions. During these fault conditions any electrical equipment, including an SPD, may be subjected to voltages which exceed their designed ratings. This information is being provided to the user so that an informed decision can be made before installing any electrical equipment on an ungrounded power system.

**\*Do not install on loads greater than 25 amps**

# Wiring for DC Application:

1. Screw in the input (+) DC from the incoming (+) DC source to screw terminal number 1.
2. Screw in the input (-) DC from the incoming power source to screw terminal number 4.
3. Screw in the output (+) DC to screw terminal number 2 and connect to the input (+) DC terminal of the load.
4. Screw in the output (-) DC to screw terminal number 5 and connect it to the input (-) DC terminal of the load.



**CAUTION** – Ungrounded power systems are inherently unstable and can produce excessively high line-to-ground voltages during certain fault conditions. During these fault conditions any electrical equipment, including an SPD, may be subjected to voltages which exceed their designed ratings. This information is being provided to the user so that an informed decision can be made before installing any electrical equipment on an ungrounded power system.